

# EXSTREAMER



## EXSTREAMER 200

**Network audio decoder with  
built-in amplifier for commercial,  
industrial and security applications**

**Barix AG**  
Seefeldstrasse 303  
CH-8008 Zürich  
Switzerland

**T +41 43 433 22 11**  
**F +41 44 274 28 49**

**Barix Technology Inc.**  
2182 Helena Road  
St. Paul, MN 55128  
USA

**T (866) 815-0866**  
**F (209) 755-8435**

[www.barix.com](http://www.barix.com)  
[info@barix.com](mailto:info@barix.com)



Plays MP3 files and streams from PC,  
web, Shoutcast, Icecast and RTP servers

10/100 Mbit Ethernet connection

Control via standard web browser, IR  
remote control, API (serial, TCP, UDP,cgi)

Separate firmware for WMA and MP3  
streaming (http, UDP, RTP) with auto-  
matic failover and USB playback available

Fully programmable ABCL (Basic dialect)  
firmware available on request



# EXSTREAMER

## Technical Specifications

### Audio Formats:

MP3 up to 320 kBit fixed & variable bit rates, G.711 (uLaw/aLaw @ 8 or 24 kHz) and PCM (16bit @ 8 or 24 kHz) in a future release, WMA (separate firmware)

### Audio Interfaces:

3.5 mm Headphone Jack (4Vpp max), 2 x 25W (RMS @ 8Ohm) speaker out (overload/ temp/ short circuit protected), S/PDIF out (optical), bass and treble adjustable by browser

### Network Interface:

RJ45 10/100 Mbit Ethernet (Auto), TCP/IP, UDP, RTP, DHCP, SNMP, AutoIP, SonicIP, IPzator

### Control Interfaces:

RS-232 DSub 9pin male, 300..115200 Baud  
IR Sensor for Remote Control

### Misc:

Two LED (red and green) status indicators, reset/factory default button  
USB 1.1 interface for memory sticks (FAT16)

### Power requirements:

24VDC 70 W max., power supply included

### Case:

Aluminum, 460g, 4.25" x 1.5" x 4.92"  
108mm x 38mm x 125mm

### Operating temperature / humidity:

0 - 40°Celsius / 32 - 104 Deg. Fahrenheit  
0-70% relative humidity, noncondensing

### Certifications:

FCC A, CE A, RoHS compliant (lead free)

### User Interface:

browser based, serial port or Ethernet control  
API for automation systems, integrated web server for control and configuration

## Overview

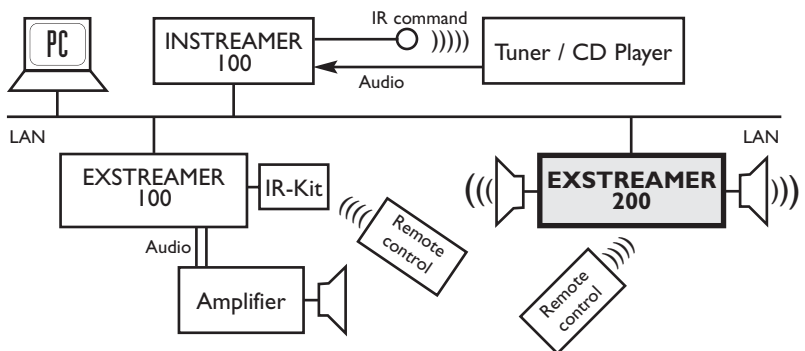
The Barix Exstreamer 200 is a versatile network audio decoder for multi-room distributed audio system. It enables users to create flexible, cost-effective distributed audio systems using standard IP technology.

The Barix Exstreamer 200 plays MP3 (soon also G.711 & PCM) audio files from PC or web server (http) as well as legacy digital and analog sources (using the Barix Instreamer) and streams from sources like Shoutcast, Icecast (Internet radio) or RTP servers (Instreamer). The integrated 2 x 25 Watt amplifier delivers audio directly to speakers.

The device is easily controlled by a standard web browser and with the optional Barix IR remote control. With serial and Ethernet control APIs, the device can also be managed from typical automation systems. Installing the Barix Exstreamer 200 is fast and simple due to its unique features - SonicIP and IPzator: The device announces its IP address over the audio output after power-up!

## Common Applications

- Playing audio from PC, jukebox applications, flash memory
- Multiroom or multizone distributed audio systems
- Commercial audio streaming applications (airports, hotels, etc.)
- Realtime audio bridging over IP (when used with the Instreamer)
- Paging and announcement applications
- Instore audio distribution (realtime) for retail, restaurants, franchises



## Integration & application development

The Barix Exstreamer 200 supports various control and communication modes. Software developers can easily write audio applications using one of the openly documented Ethernet (cgi, TCP, UDP) or serial interfaces (API). A fully programmable ABCL firmware version is available on request. ABCL stands for Audio Barix Control Language and is a simple to use yet powerful Basic dialect (see separate data sheet).

## Streaming Client Firmware

For commercial applications a firmware with WMA and MP3 support, automatic failover (up to 3 URL's / playing from USB memory) and monitoring capabilities is available (see separate data sheet).

For further information, detailed technical specifications and information about other versions and products please visit [www.barix.com](http://www.barix.com)